



# luxor

DESIGN  
RODOLFO  
DORDONI

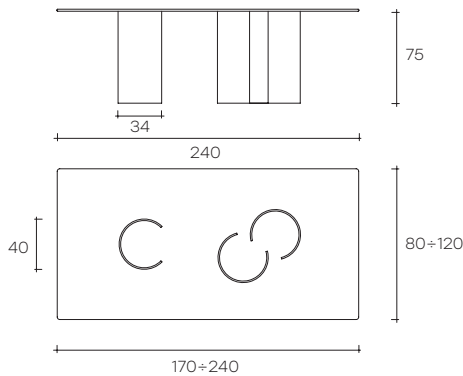
modello registrato  
registered model

portata sul piano: 150 kg  
load capacity on the top: 150 kg

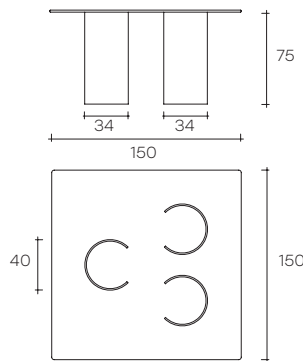
Tavolo con piano in vetro fumé o bronzo stratificato da 8+8 mm finitura filo lucido tondo, disponibile anche in vetro temperato trasparente o extralight. A seconda della misura e della configurazione desiderata base composta da 2, 3 o 4 cilindri (Ø 40 cm) in vetro da 10 mm, disponibile fumé, bronzo trasparente o extralight. Disponibile anche con piani a misura.

*Dining table with layered glass top 8+8 mm-thick brilliant polished rim, in smoked or bronze glass also available in tempered glass, transparent or extralight. 10 mm-thick curved glass base, composed of 2, 3 or 4 cylinders (Ø 40 cm) depending upon the size and the shape requested. Bases are available in smoked glass, bronze glass, transparent glass or extralight glass. Custom size top available on request.*

## PIANO RETTANGOLARE RECTANGULAR TOP



## PIANO QUADRATO SQUARE TOP



dimensioni L, P, H  
dimensions L, W, H  
(cm)

COD./CODE

L

P/W

H

peso netto  
net weight  
(kg)

peso lordo  
gross weight  
(kg)

volume imballo  
package volume  
(m<sup>3</sup>)

### COMPOSIZIONI SUGGERITE SUGGESTED COMPOSITIONS

3 basi in vetro bronzo,  
piano in vetrobronzo 8+8 mm.  
*3 bases bronze glass,  
bronze glass top 8+8 mm thick.*

**1972/B**

240

120

75

171

220

0,86

3 basi in vetro fumé,  
piano in vetro fumé 8+8 mm.  
*3 bases smoked glass,  
smoked glass top 8+8 mm thick.*

**1951**

150

150

75

145

170

0,78

3 basi in vetro extralight, piano  
in vetro extralight spessore 15 mm.  
*3 bases extralight glass,  
extralight glass top 15 mm thick.*

**1942**

220

110

75

145

175

0,70



dimensioni L, P, H dimensions L, W, H (cm)	COD./CODE	L	P/W	H	peso netto net weight (kg)	peso lordo gross weight (kg)	volume imballo package volume (m³)
1 base in vetro trasparente 10 mm. <i>1 base in transparent glass 10 mm.</i>	<b>1940</b>	40	-	73	18	30	0,19
1 base in vetro fumé 10 mm. <i>1 base in smoked glass 10 mm.</i>	<b>1950</b>	40	-	73	18	30	0,19
1 base in vetro bronzo 10 mm. <i>1 base in bronze glass 10 mm.</i>	<b>1960</b>	40	-	73	18	30	0,19
1 base in vetro NERO 95 10 mm. <i>1 base in BLACK 95 glass 10 mm.</i>	<b>1940/ N95</b>	40	-	73	18	30	0,19
1 base in vetro extralight 10 mm. <i>1 base in extralight glass 10 mm.</i>	<b>1940/X</b>	40	-	73	18	30	0,19
1 base in vetro extralight retro verniciato bianco 10 mm. <i>1 base in extralight white back-painted glass 10 mm.</i>	<b>1940/B</b>	40	-	73	18	30	0,19
1 base in vetro extralight retro argentato e verniciato bianco 10 mm. <i>1 base in extralight glass back-silvered and white stained 10 mm.</i>	<b>1940/BS</b>	40	-	73	18	30	0,19